



Airocle C SERIES, CFL.0102 Continuous Louvre Installation Instruction

Step 1. Option 1 - Install the top and bottom 50mm angle to surrounding structure using 12-24X32 Series 500 Screws at max 600mm centres. Use packing as required to ensure consistent level.

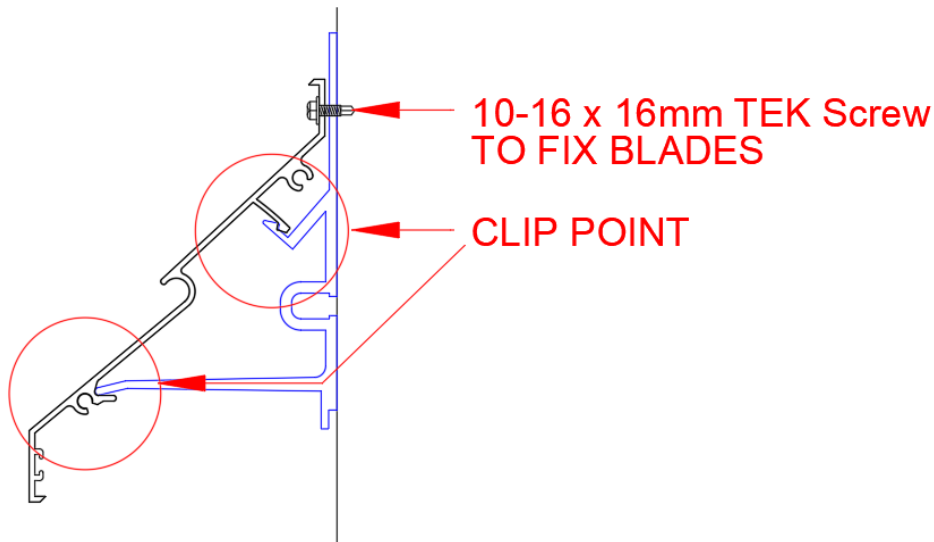
Option 2 – Fix 50mm structural steel post to surrounding structure using M12 steel hardware. Ensure post centres match specific louvre details and all posts are aligned.

Step 2. Install flashing sills with packing as necessary to steel structure and aluminium angle or steel post using 12-24X20 TEK Screws at max 600mm centres. Seal all and fix all joints and connections of flashings with sealant and rivets.

Step 3. Option 1 - Fix tophat with carrier brackets to 50mm support angle top and bottom using 14-24x20 TEK Screws at centres as per each louvre opening detail.

Option 2 – Slide channel with carrier brackets over 50mm steel posts and secure through the side of the post with 14-24x20 TEK Screws at max 600mm centres. Ensure all channels are aligned and level.

Step 4. Clip blades to carrier bracket one by one and fasten at each bracket point using 10-16X16 TEK screws.

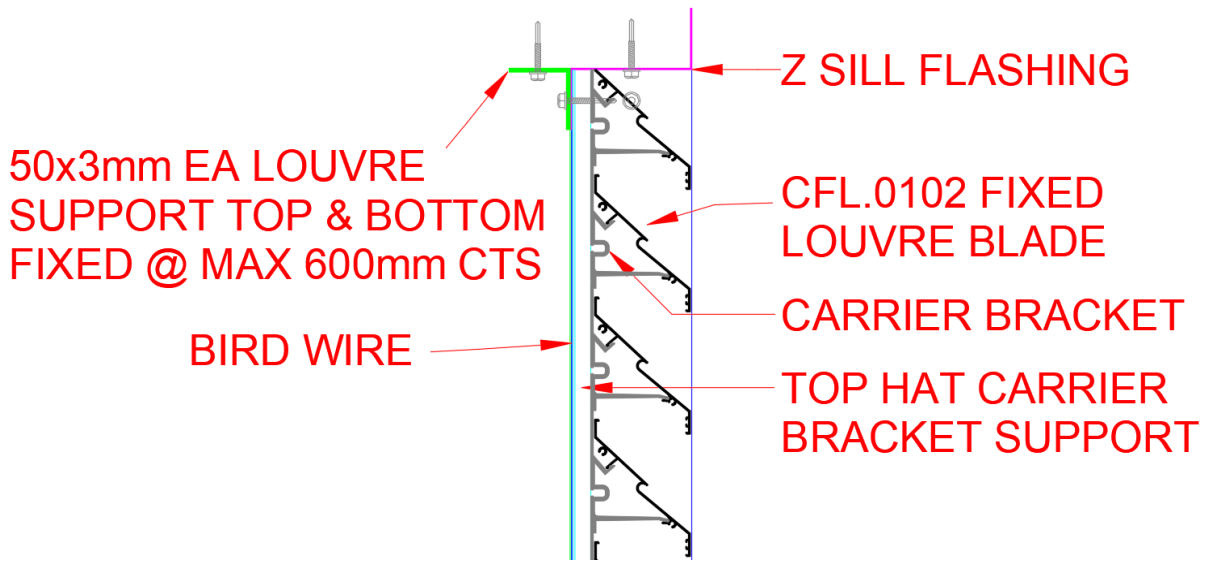


Step 5. Option 1 - Fix vermin mesh (Part No. 08) to the rear of angle, flashing, and tophats by rivet or small TEK screw.

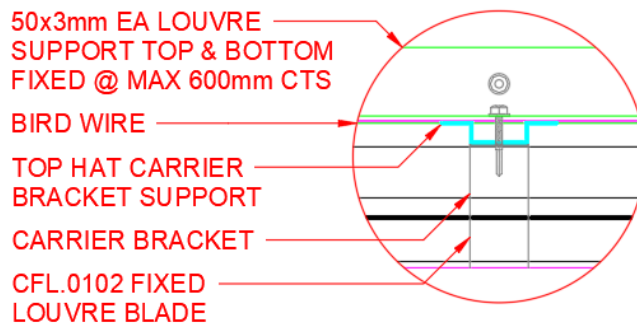
Option 2 – Cut vermin mesh to fit between 50mm posts and fix to back of blades by rivet or TEK screw



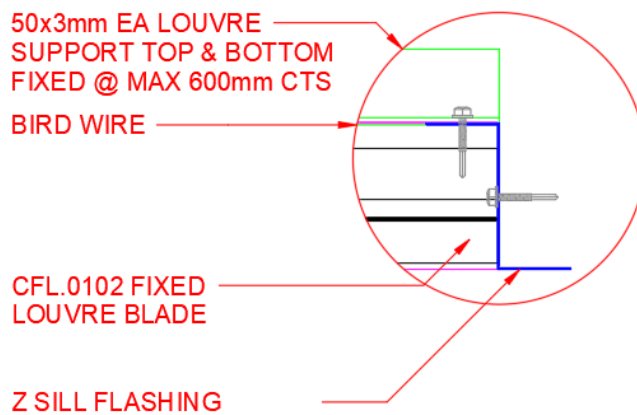
OPTION 1



DETAIL 1

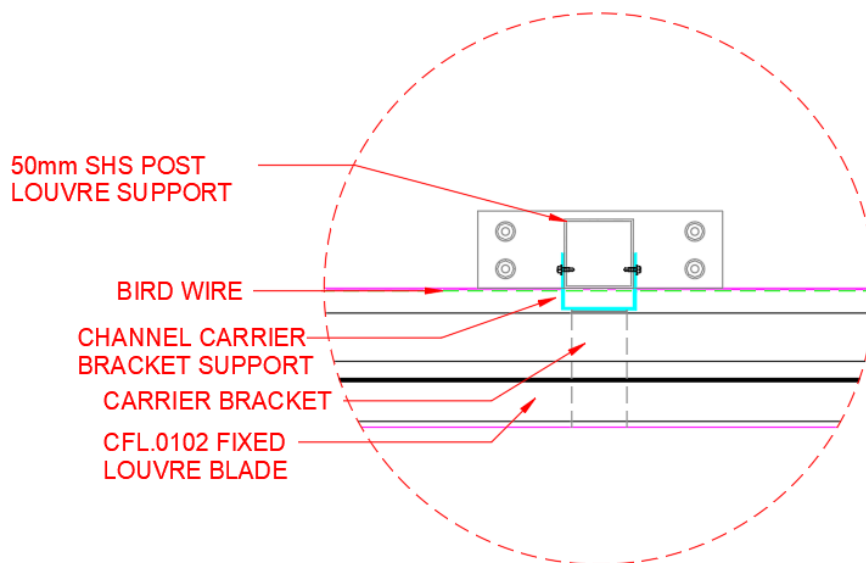
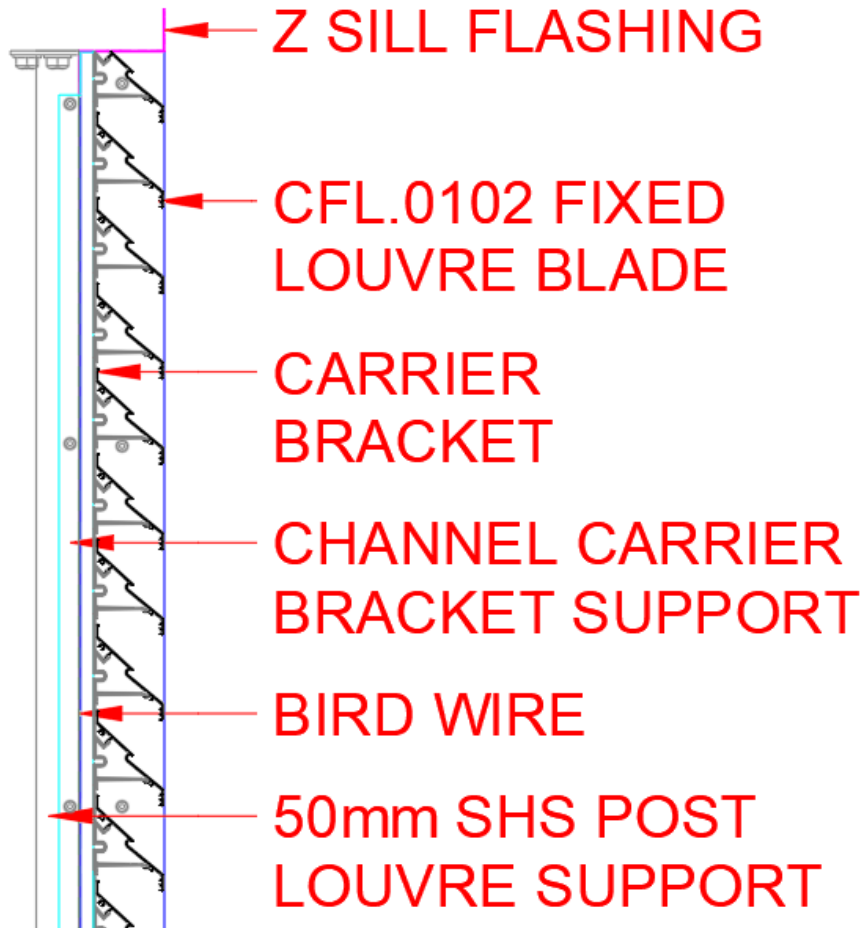


DETAIL 2





OPTION 2



DETAIL 6