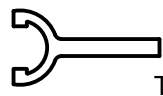


10X.0600 INSTALLATION INSTRUCTIONS

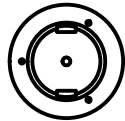


X1

TOP CAP TIGHTENING TOOL

X3

SCREWS



X1

TOP CAP

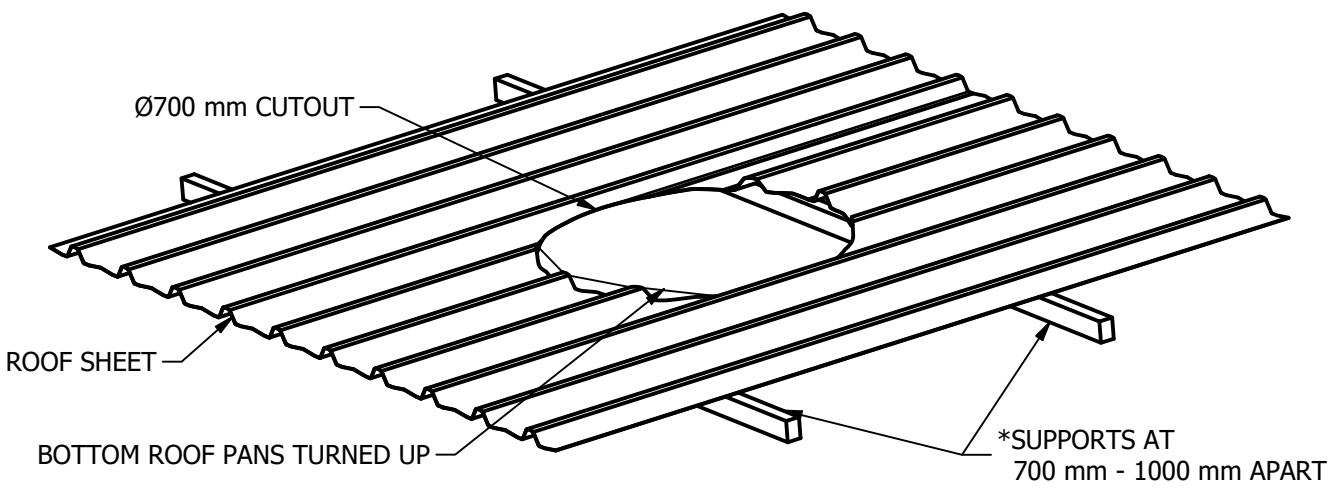
STEP 1 - CUT OPENING ON ROOF SHEET

1- CUT A Ø700mm ROUND OPENING IN ROOF SHEET WITH THE PROVIDED TEMPLATE.

2- TURN BOTTOM ROOF PANS UP.

*ENSURE TRIMMER PURLINS ARE PRESENT FOR FIXING TO THE VENT BASE FOR TRAPEZOIDAL ROOF PANELS.

NOTE: ENSURE VENTS ARE INSTALLED GREATER THAN 3M AND LESS THAN 6M APART FOR OPTIMAL RESULTS.



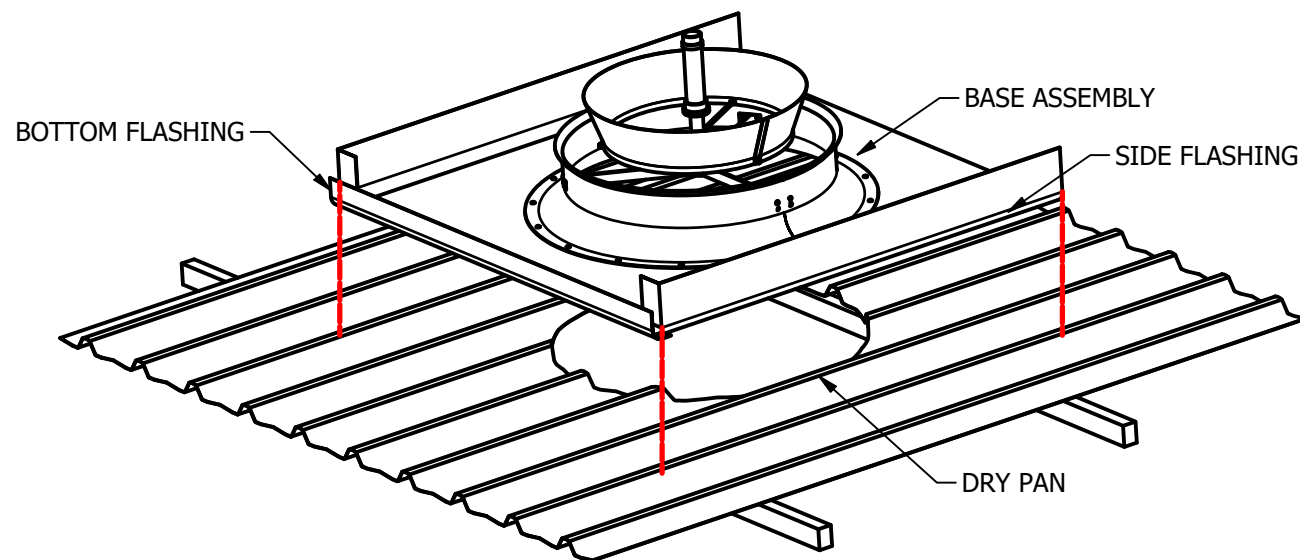
STEP 2 - FIX VENT BASE ONTO ROOF SHEET

3- FOLD SIDE & BOTTOM FLASHINGS DOWN AND WHERE APPLICABLE, NOTCH THE BOTTOM EDGE TO SUIT THE ROOF PROFILE. SEAL ALL JOINTS WITH SILICONE OR EQUIVALENT.

4- INSTALL BASE ASSEMBLY (WITHOUT HEAD ASSEMBLY) ONTO ROOF SHEET.

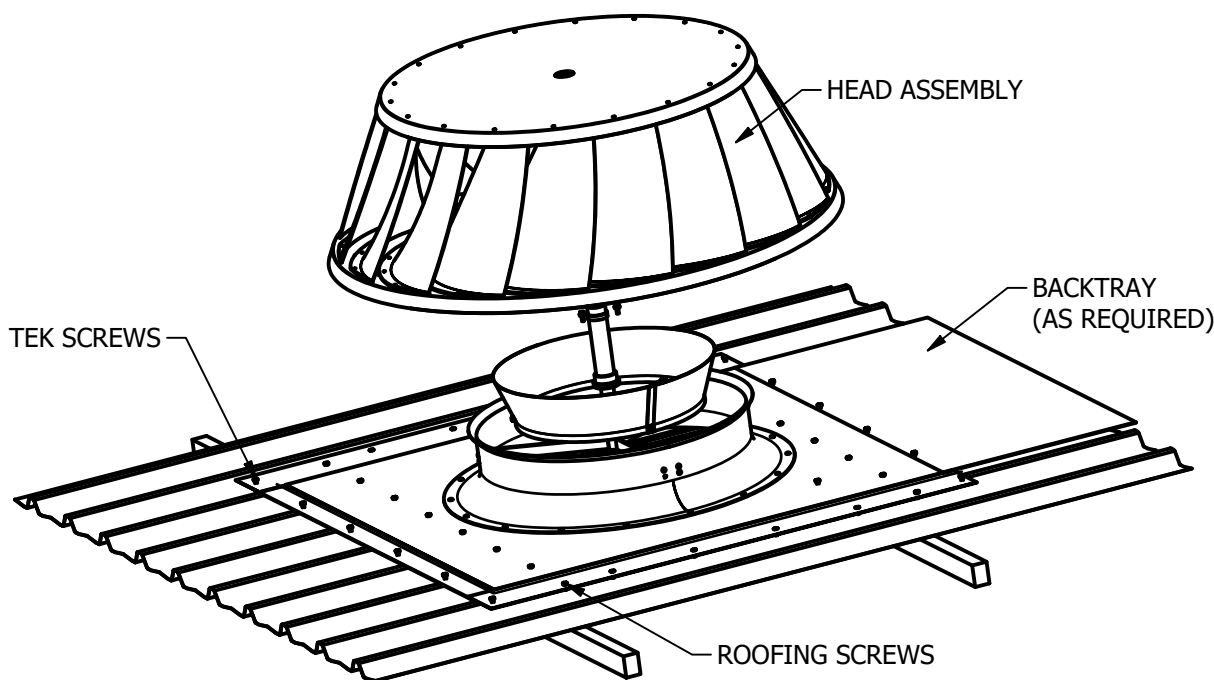
5- FIX VENT INTO PURLINS (WITH ROOFING SCREWS) AND ALONG EDGES OF THE BASE AND FLASHING (WITH TEK SCREWS) AS SPECIFIED IN THE BELOW TABLE WITH MIN. NEOPRENE WASHER 12G SCREWS.

REGION	FIXING SPACING (mm)
NON-CYCLONIC	<250
CYCLONIC	<180



STEP 3 - INSTALL HEAD ASSEMBLY

6- LOWER HEAD ASSEMBLY OVER THE SHAFT, ONTO THE BASE ASSEMBLY.

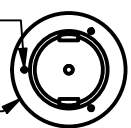


STEP 4 - INSTALL TOP CAP

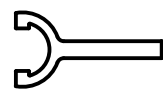
7- LOCATE AND TIGHTEN THE TOP CAP ONTO THE THREADED SHAFT WITH THE TOOL PROVIDED. NOTE: THIS IS LEFT-HAND THREAD.

8- SECURE THE TOP CAP ONTO THE HEAD ASSEMBLY WITH WEATHERTIGHT SCREWS PROVIDED.

3EA Ø4.50 mm HOLES TYPICAL



TOP CAP (LEFT-HAND THREAD)

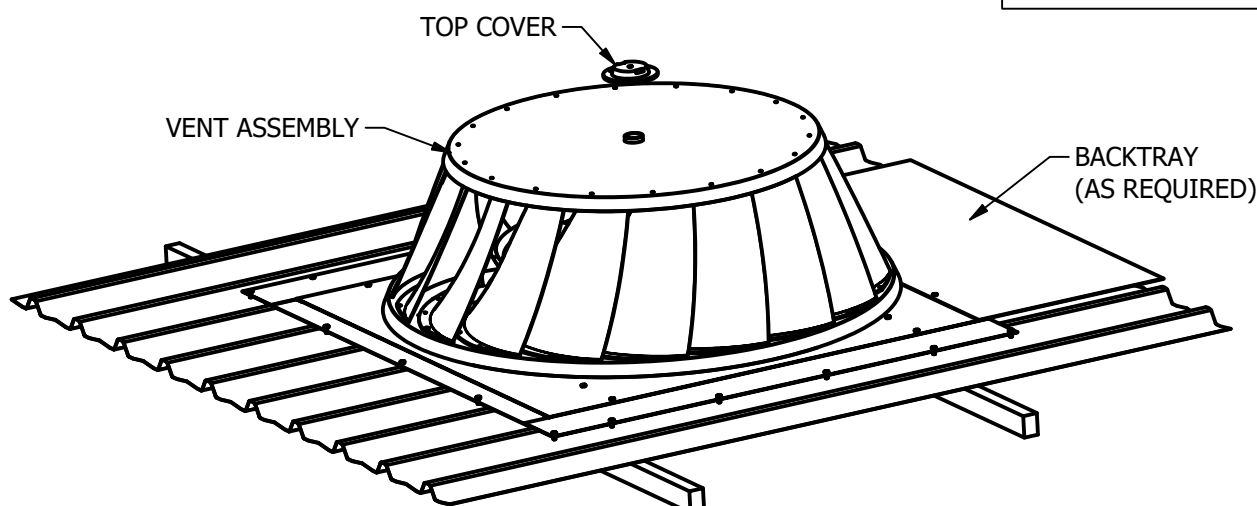


TOP CAP TIGHTENING TOOL

TOP COVER

VENT ASSEMBLY

BACKTRAY (AS REQUIRED)

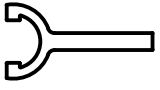


INSTALLATION CHECKLIST:

- 1- INSTALL BACKTRAY AND RIDGE CAP WHEN VENT IS INSTALLED ON A SLOPE TO PREVENT LEAKAGE.
- 2- ENSURE ONLY ADEQUATELY SIZED AND WEATHERPROOF FIXINGS ARE USED.
- 3- ENSURE THAT VENT IS SECURELY FIXED INTO SUPPORTS.

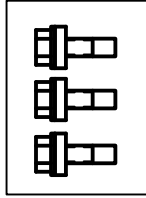
FOR FURTHER INFORMATION OR ASSISTANCE, VISIT WWW.AIROCLE.COM.AU OR DIAL 1800 805 062

(NOTE: INSTALLATIONS NOT ACCORDING TO SPECIFIED STANDARDS MAY VOID PRODUCT WARRANTY)



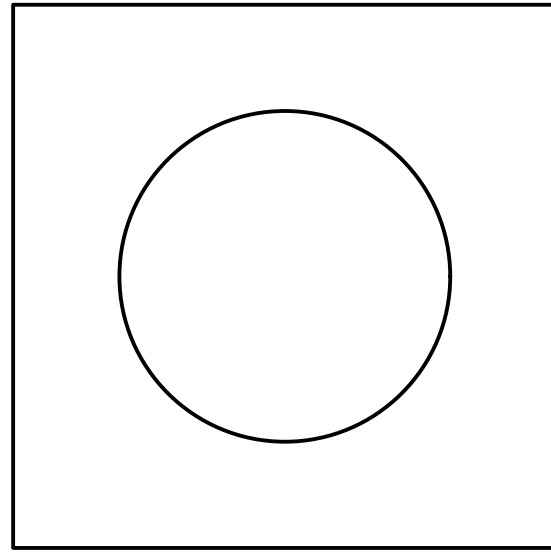
X1

TOP CAP TIGHTENING
TOOL



X4

SCREWS
(TOP CAP)



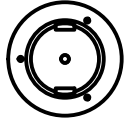
X1

CARDBOARD
HOLE TEMPLATE



X1

EYE BOLT



X1

TOP CAP