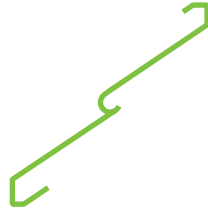


C



SERIES FIXED LOUVRE DESIGN



Our centre-lip blade design with the option of operable blades ensures airflow performance and optimal weather protection in challenging external environments.

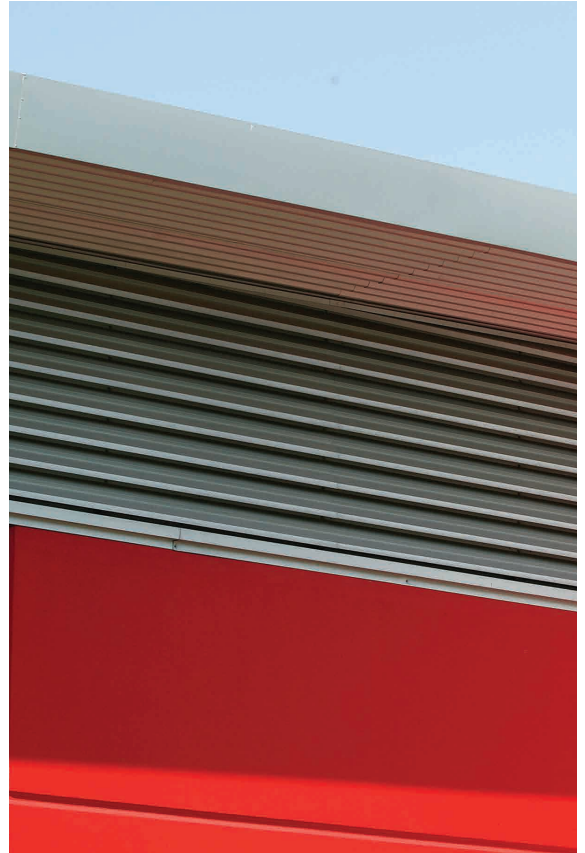
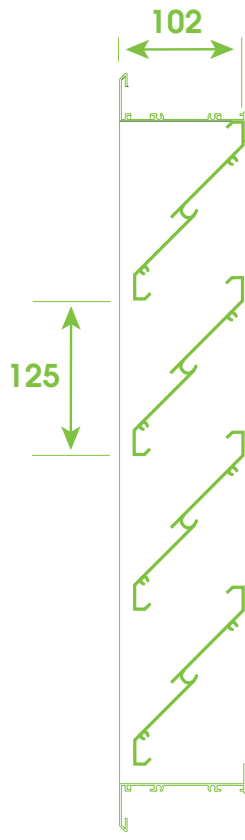
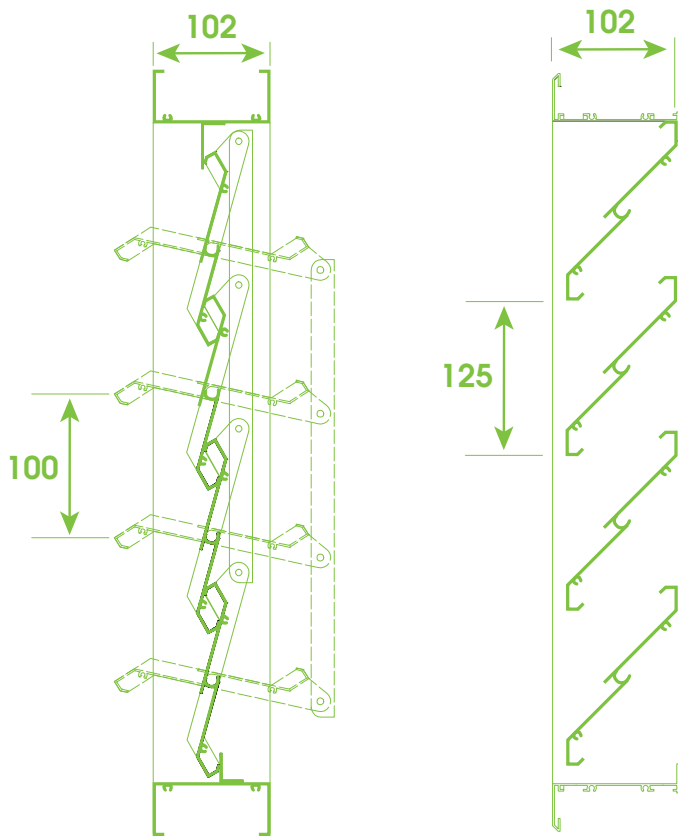
The Airocle **C Series** is built using precision extruded aluminium and provides efficient ventilation where there is greater weather exposure.

- Maximum blade span: 1600mm
- 49.2% free open area – fixed blade
- 83% free open area – operable blade fully open
- Available in fixed or operable blade
- Available in aluminium
- Manufactured in Australia

Want to know more? Ask us for the **C Series** Data Sheet or let our design team advise you on the best ideas for your project.



In closed



position