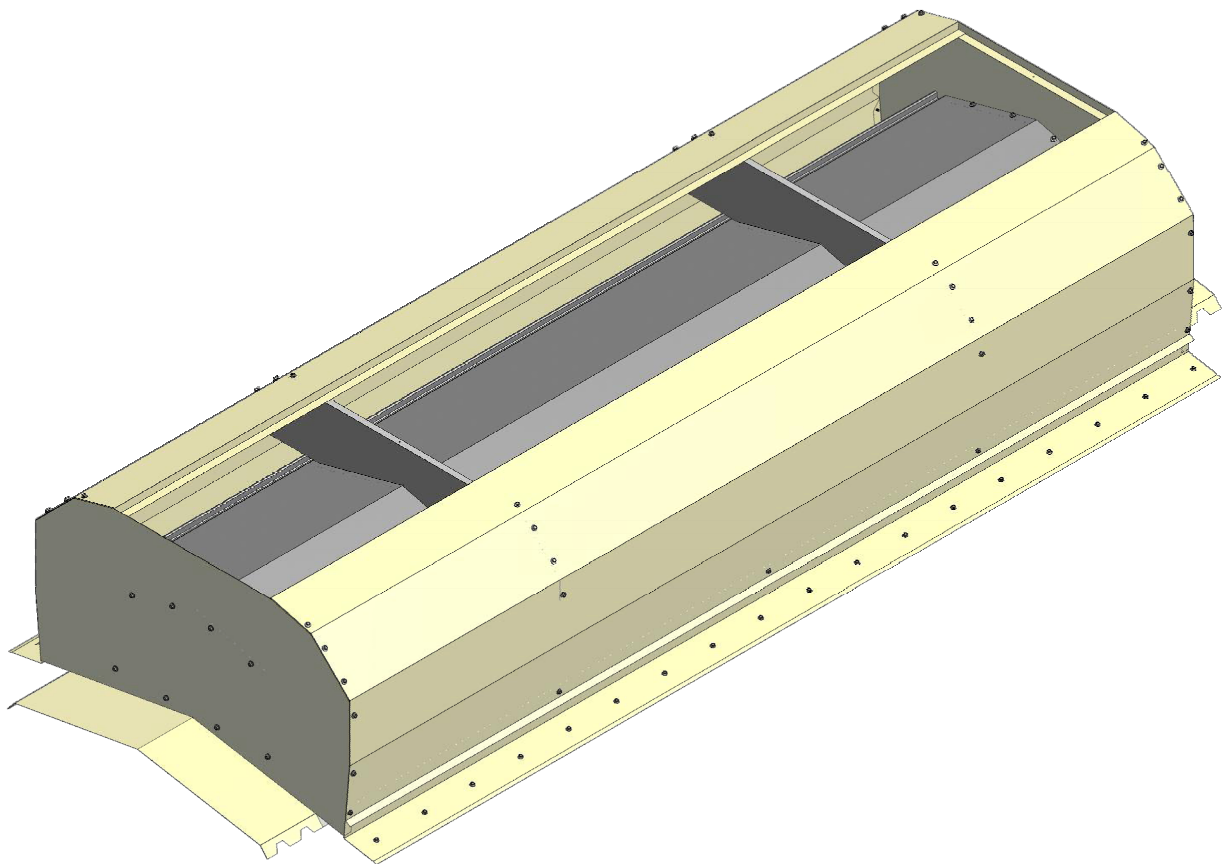
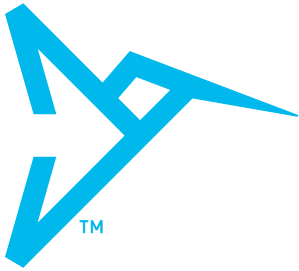


Airocle™



1 Series
CONTINUOUS RIDGE VENTILATOR
1RV 500 - 1200

ASSEMBLY INSTRUCTIONS

CONTENTS

<u>PRE-INSTALLATION CHECK LIST</u>	3
---	---

ILLUSTRATIONS & NOTES

TYPICAL SECTIONS.....	4
ITEMS IDENTIFICATION.....	5
STEP 1.....	6
STEP 2.....	7
STEP 2A.....	8
STEP 3.....	9
STEP 4.....	10
STEP 5.....	11
STEP 6.....	12
STEP 7.....	13
STEP 8.....	14

INSTRUCTIONS DESCRIPTIONS

STEP 1.....	15
STEP 2.....	15
STEP 2A.....	16
STEP 3.....	16
STEP 4.....	16
STEP 5.....	16
STEP 6.....	17
STEP 7.....	17
STEP 8.....	17
STEP 9.....	17

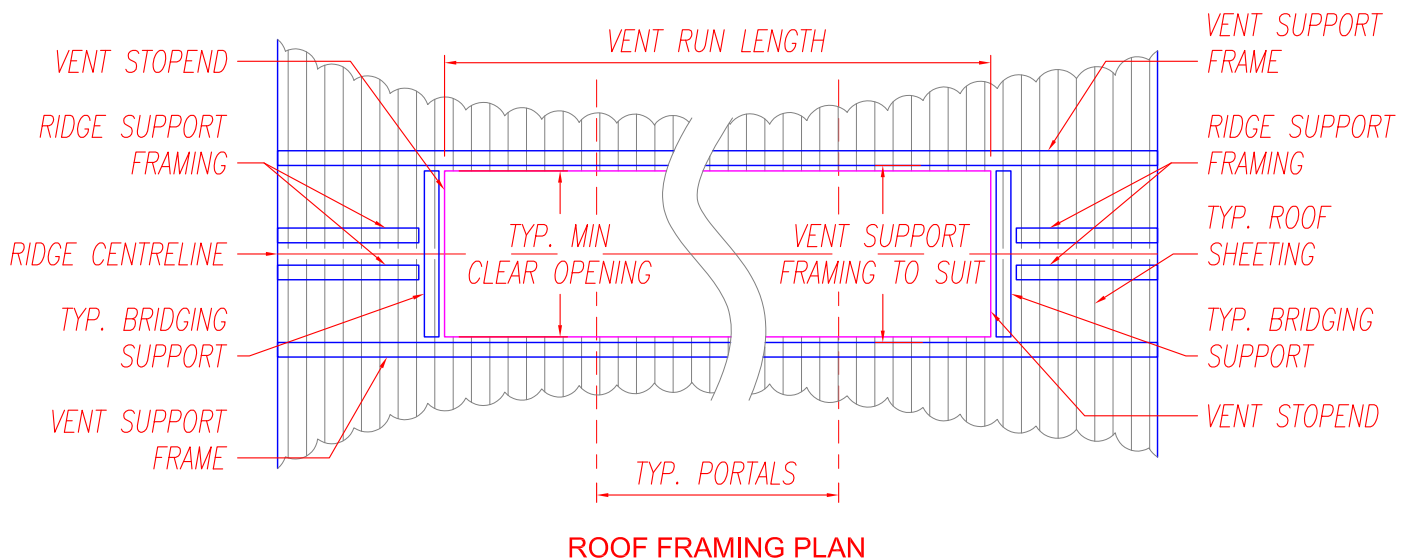
Airocle™



15 Redbank Place, Picton, NSW, 2571
Ph: 02 46 77 300
Fax: 02 46 77 0558

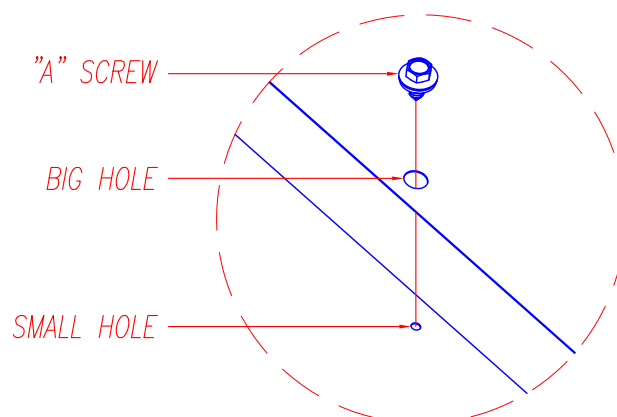
PRE-INSTALLATION CHECK LIST

- Check roof frame opening conforms for the nominated ridge vent being installed.
- Check that the purlins are in the correct position for fixing down the nominated vent and ensure purlins beyond each stopend provide suitable support for roof sheeting and ridge capping (as per Roof Framing Plan).
- Ensure the sheet stopend pans are turned up to normal roofing practice.

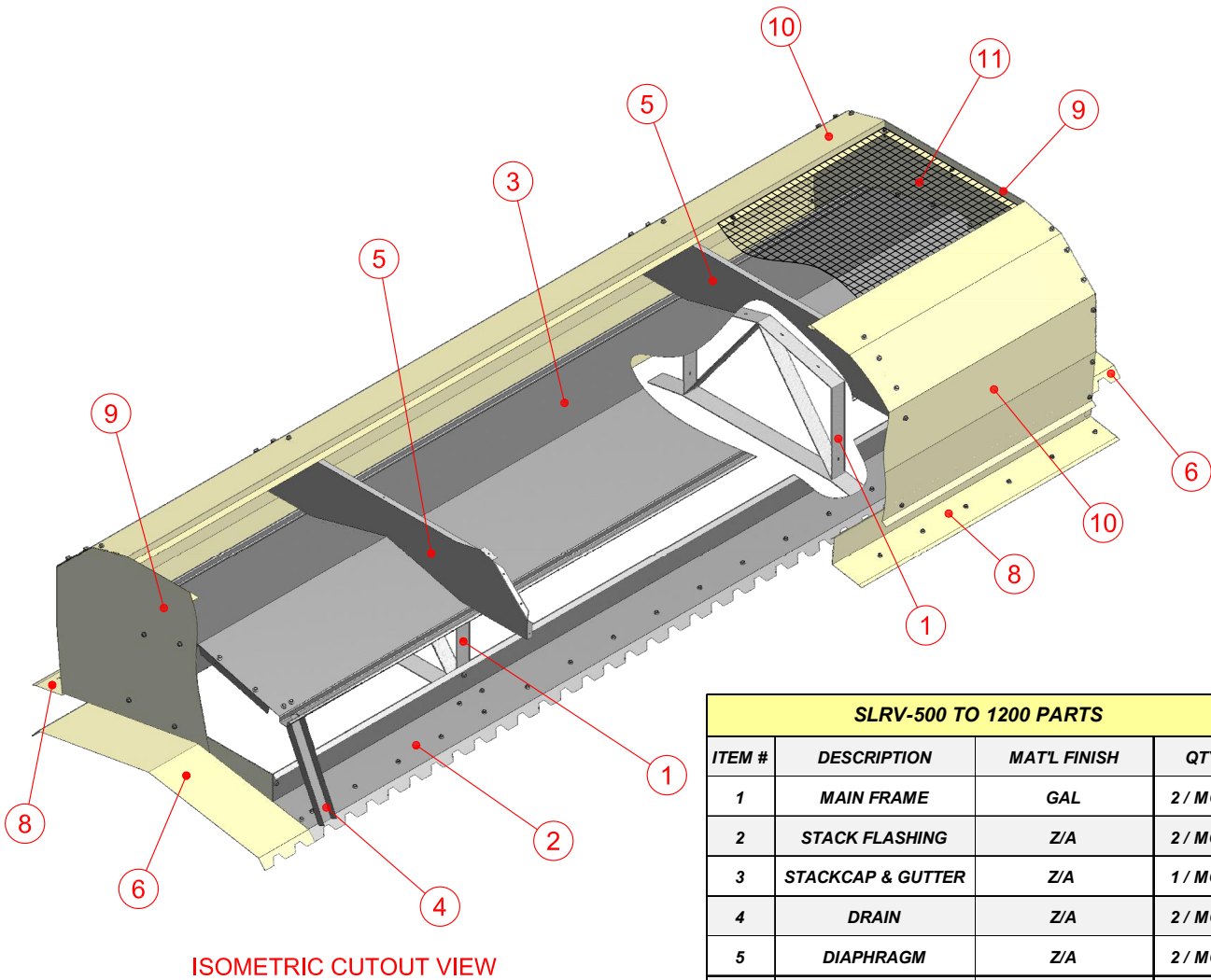
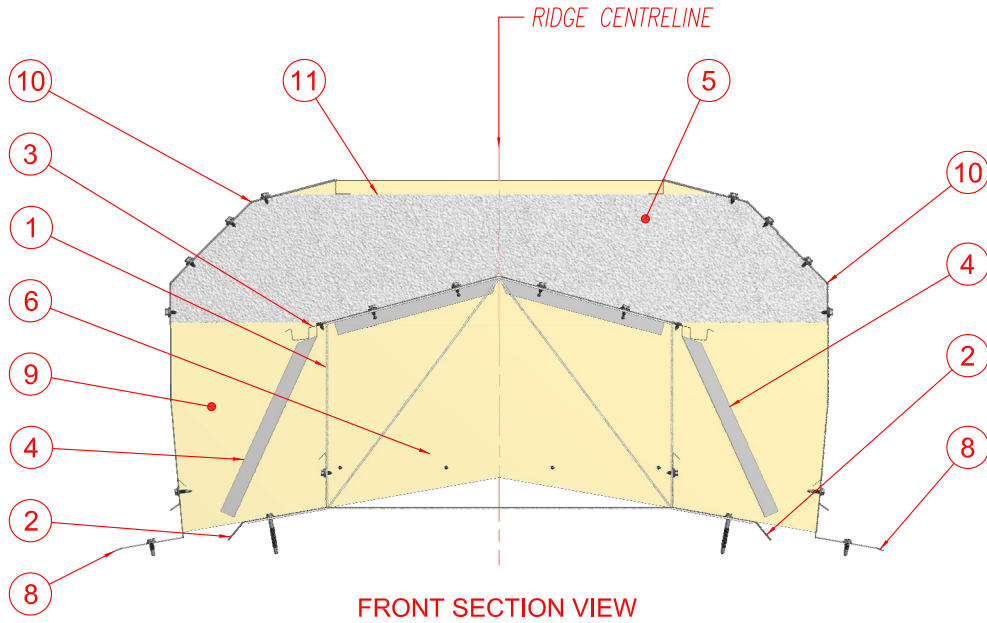


REMEMBER:

- All lap joints except windband must be water tight using sealant provided.
- Laps of all components are governed by hole centres. In some cases, holes may not appear to align between components. Ensure a podger is used in an adjacent hole to align for screw fixing.
- The ventilator is assembled using 20x14 gauge "A" screws throughout, unless otherwise stated. Note that at lap joints, the small hole is always on the underside.

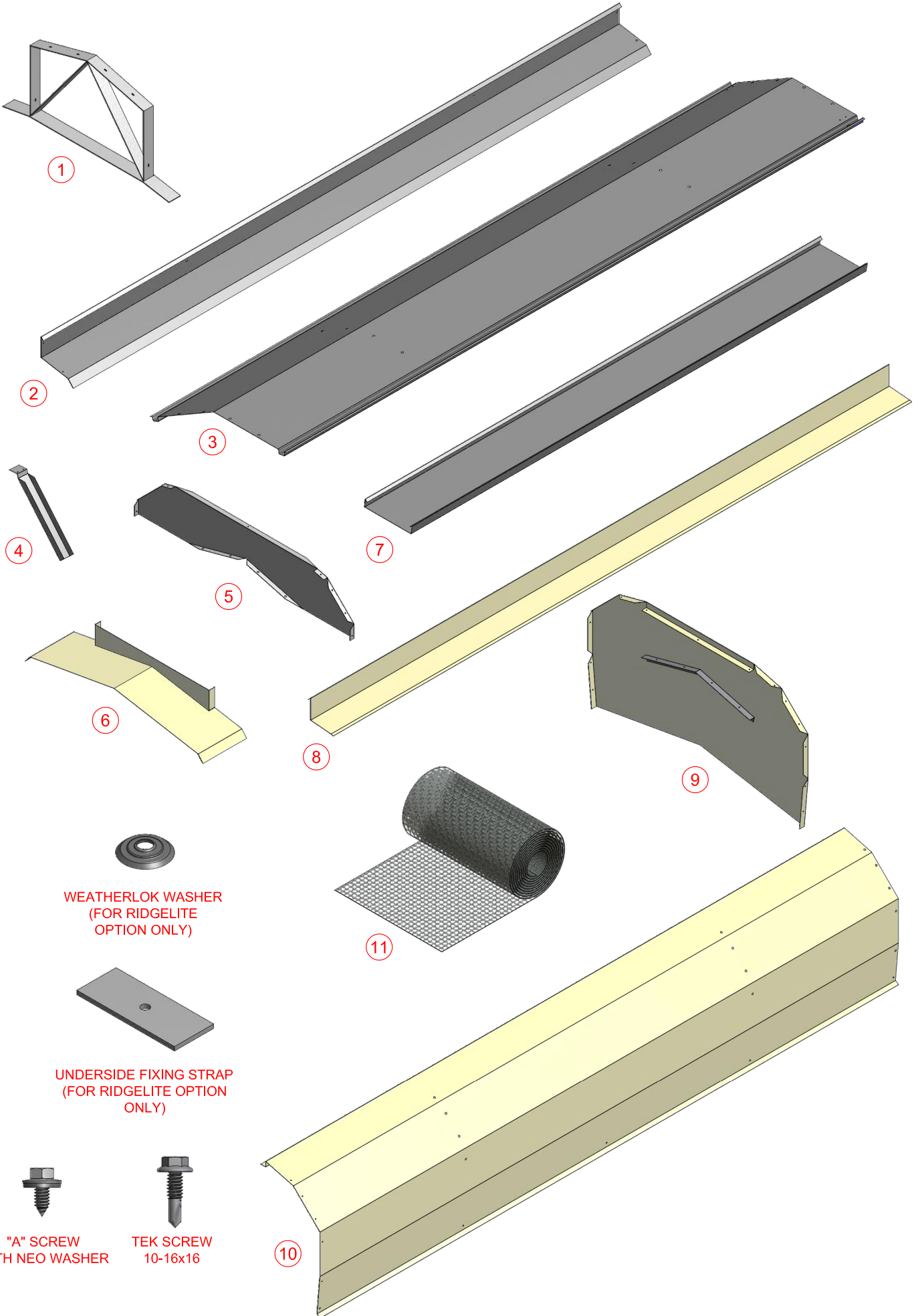


TYPICAL SECTIONS



SLRV-500 TO 1200 PARTS			
ITEM #	DESCRIPTION	MAT'L FINISH	QTY
1	MAIN FRAME	GAL	2 / MOD
2	STACK FLASHING	Z/A	2 / MOD
3	STACKCAP & GUTTER	Z/A	1 / MOD
4	DRAIN	Z/A	2 / MOD
5	DIAPHRAGM	Z/A	2 / MOD
6	STOPEND SOAKER	C/B OR Z/A	2 / RUN
7	JIG SPACER	Z/A	1
8	WINDBAND RAIL	C/B OR Z/A	2 / MOD
9	STOPEND	C/B OR Z/A	2 / RUN
10	WINDBAND	C/B OR Z/A	2 / MOD
11	BIRDWIRE MESH	AS SPEC.	TO SUIT

ITEMS IDENTIFICATION

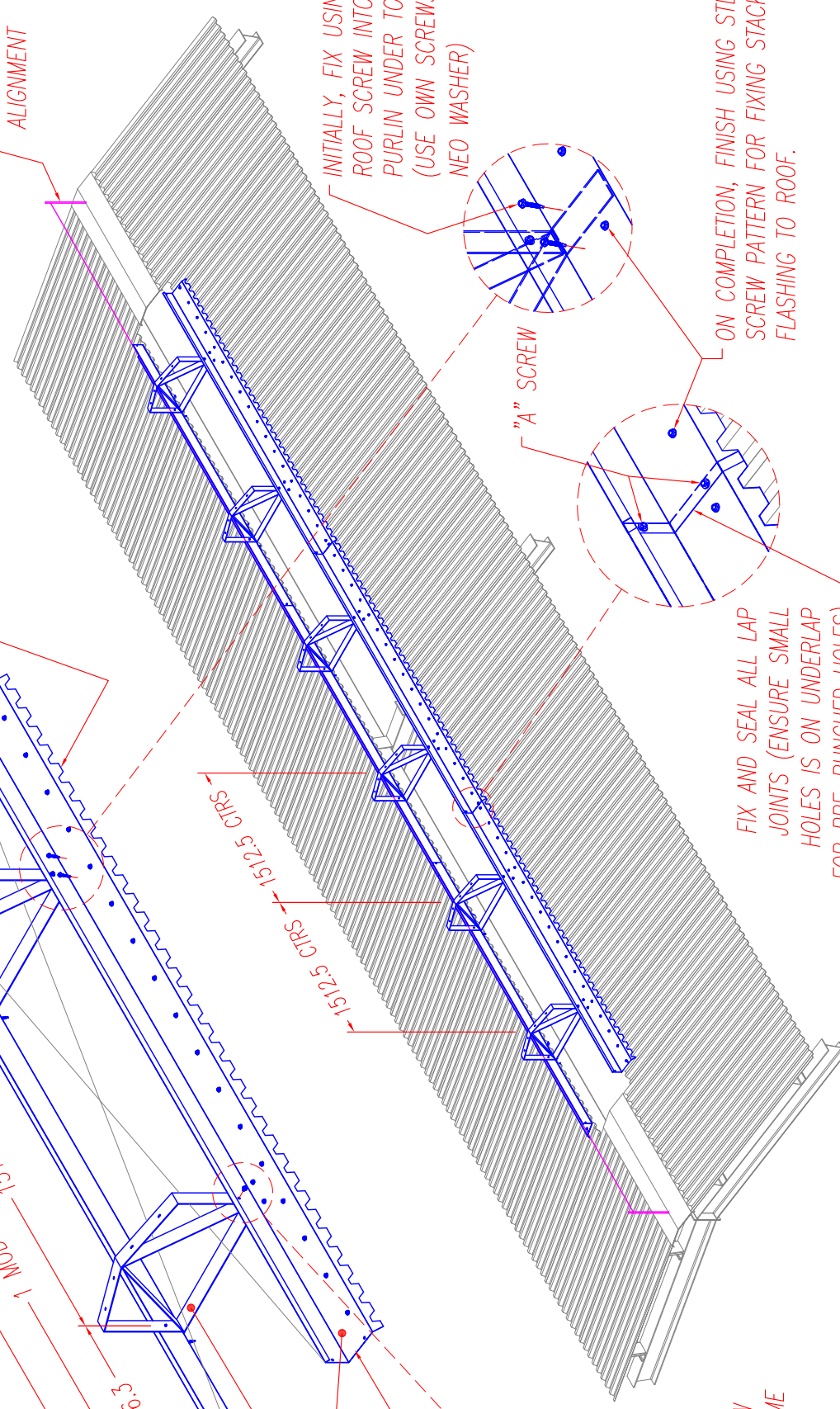
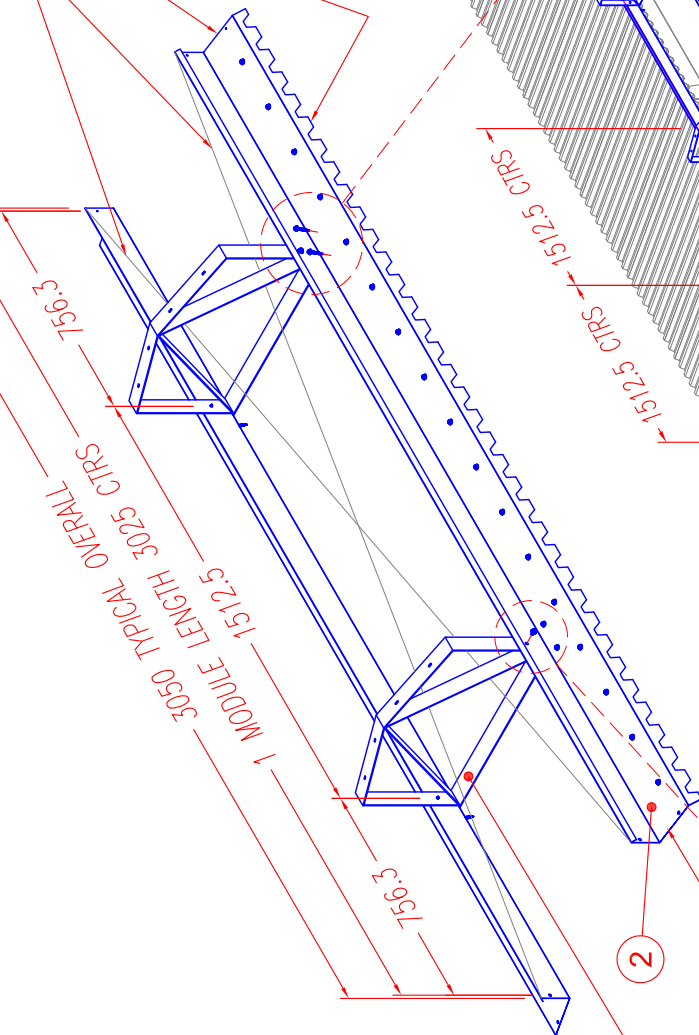


CHECK THAT DIAGONALS ARE EQUAL

LAP JOINT

NOTCH STACK FLASHING TO SUIT ROOF TYPE

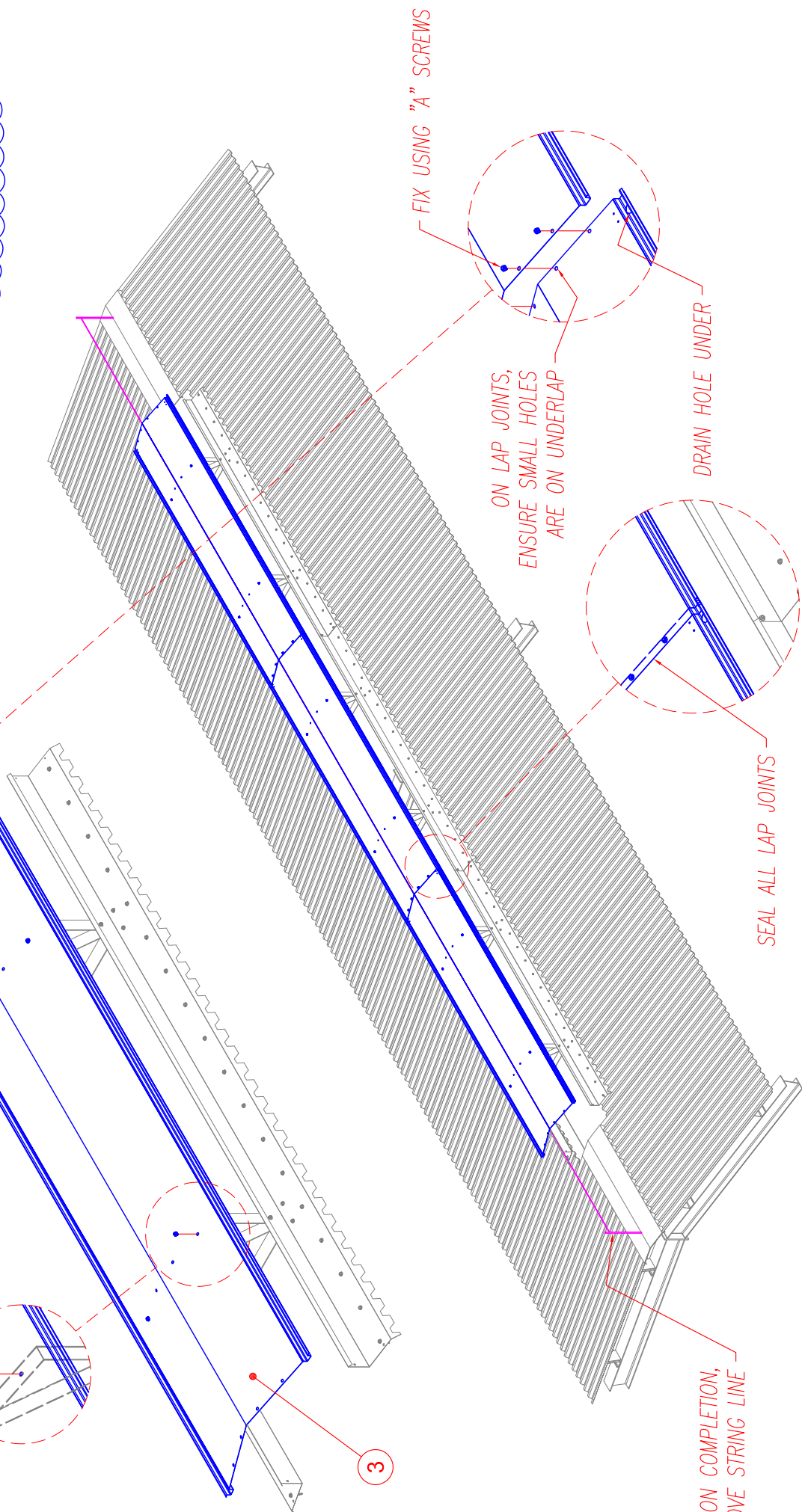
STRING LINE FOR ALIGNMENT



REFER INSTRUCTIONS ON PAGE 15

TEMPORARY FIXING THRU STACKCAP TO MAIN FRAME UNDER (SUGGESTED TWO FIXINGS PER FRAME)

(FOR RIDGELITE OPTION REFER STEP 2A)



ON COMPLETION, REMOVE STRING LINE

STEP 2A

(OPTIONAL RIDGELITE)

REFER INSTRUCTIONS ON PAGE 16

p8

TEMPORARY FIXING THRU STACKCAP TO MAIN FRAME UNDER

DRILL Ø10 HOLE

"A" SCREW

WEATHERLOK WASHER

FIXING STRAPS FROM UNDER

DRILL Ø10 HOLE

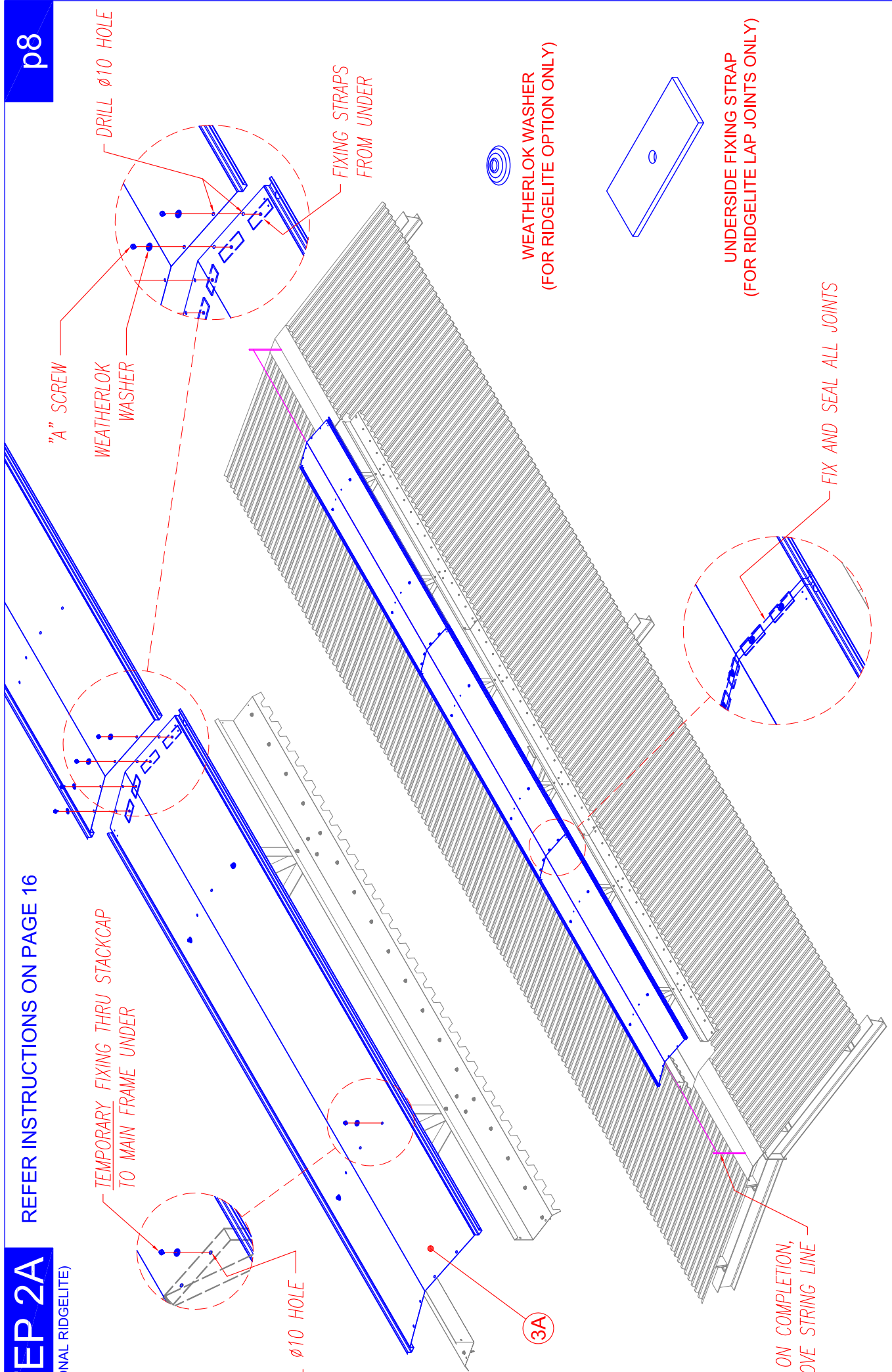
3A

WEATHERLOK WASHER (FOR RIDGELITE OPTION ONLY)

UNDERSIDE FIXING STRAP (FOR RIDGELITE LAP JOINTS ONLY)

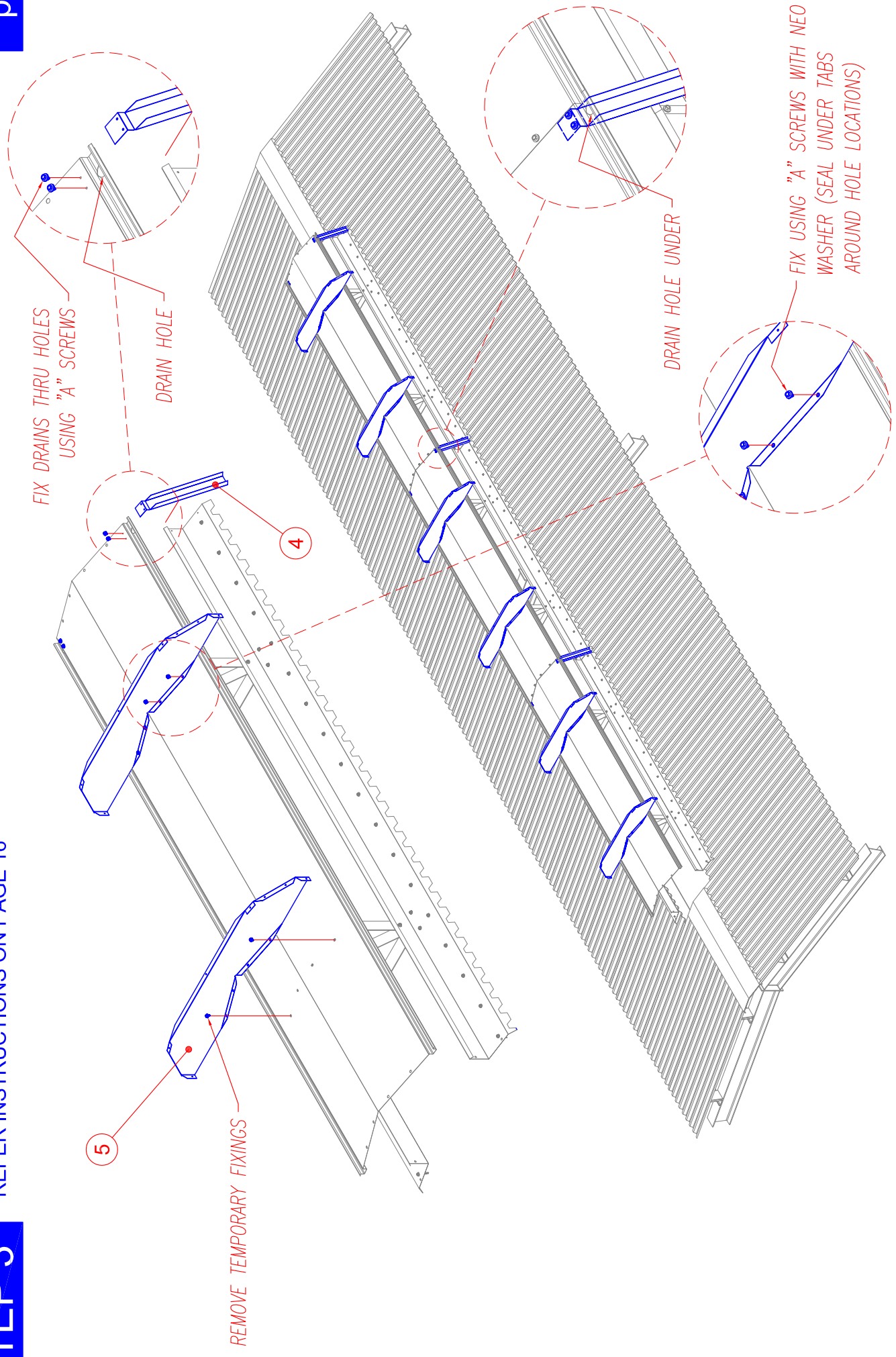
FIX AND SEAL ALL JOINTS

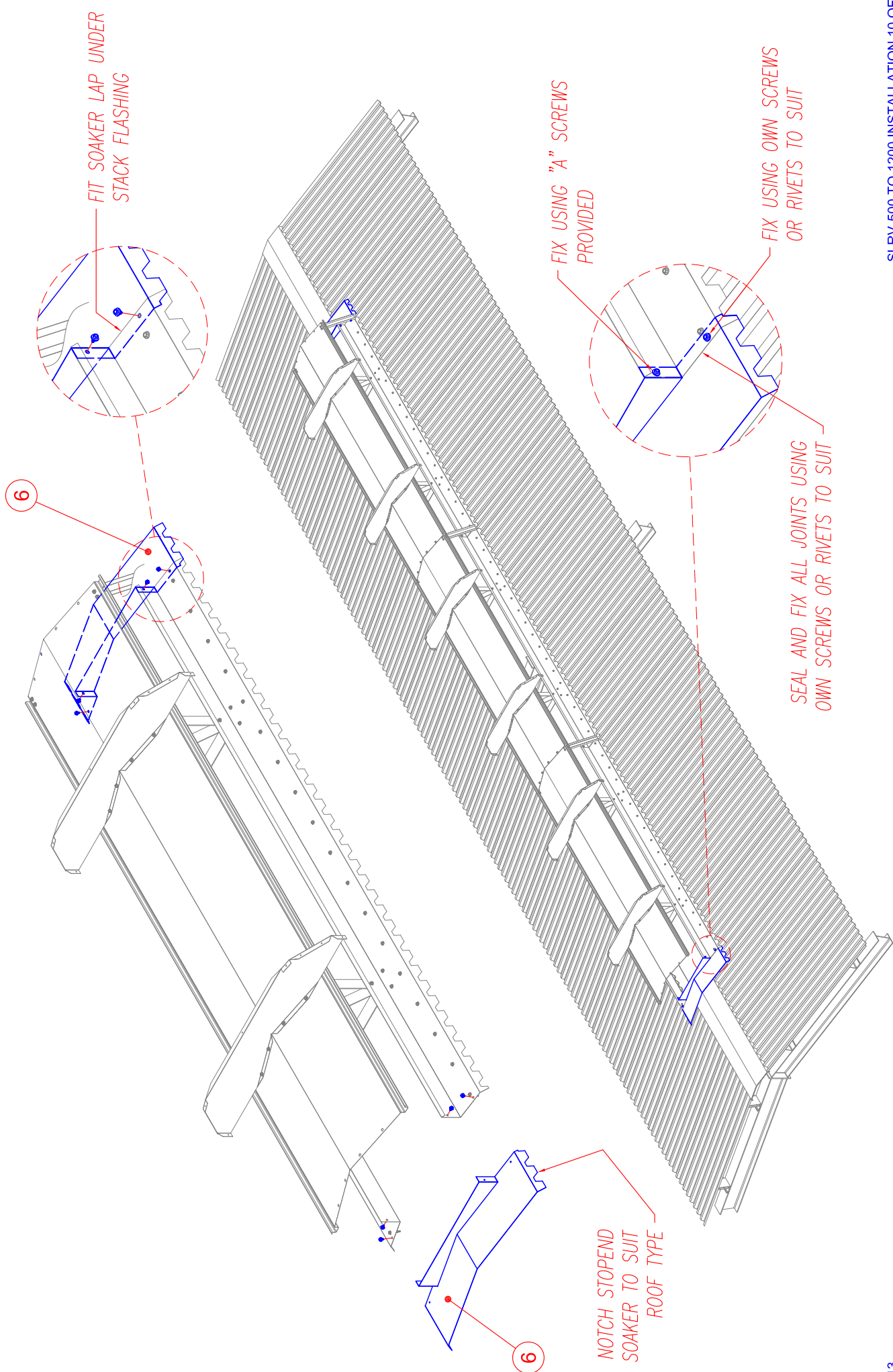
ON COMPLETION, REMOVE STRING LINE

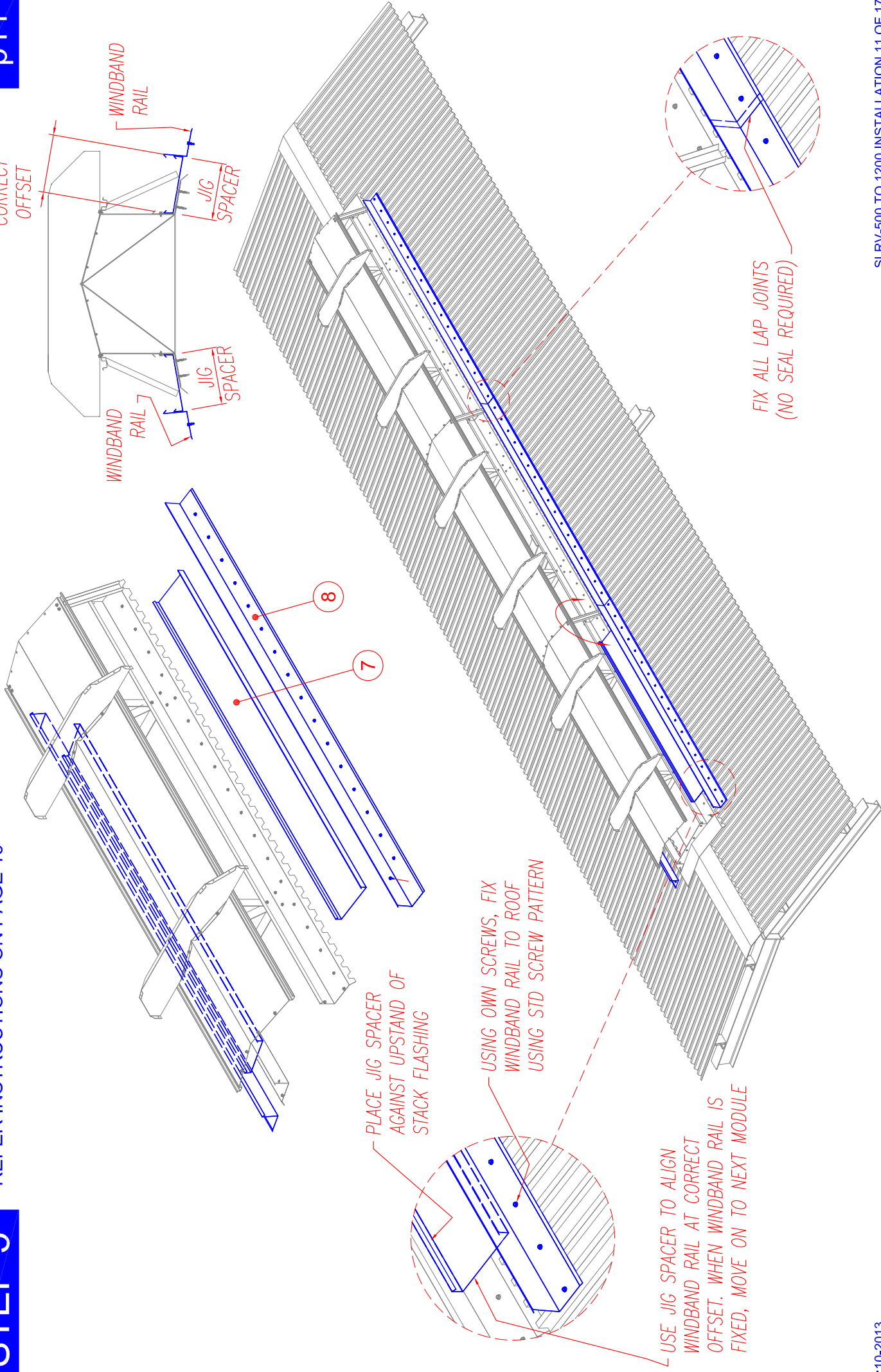


STEP 3

REFER INSTRUCTIONS ON PAGE 16





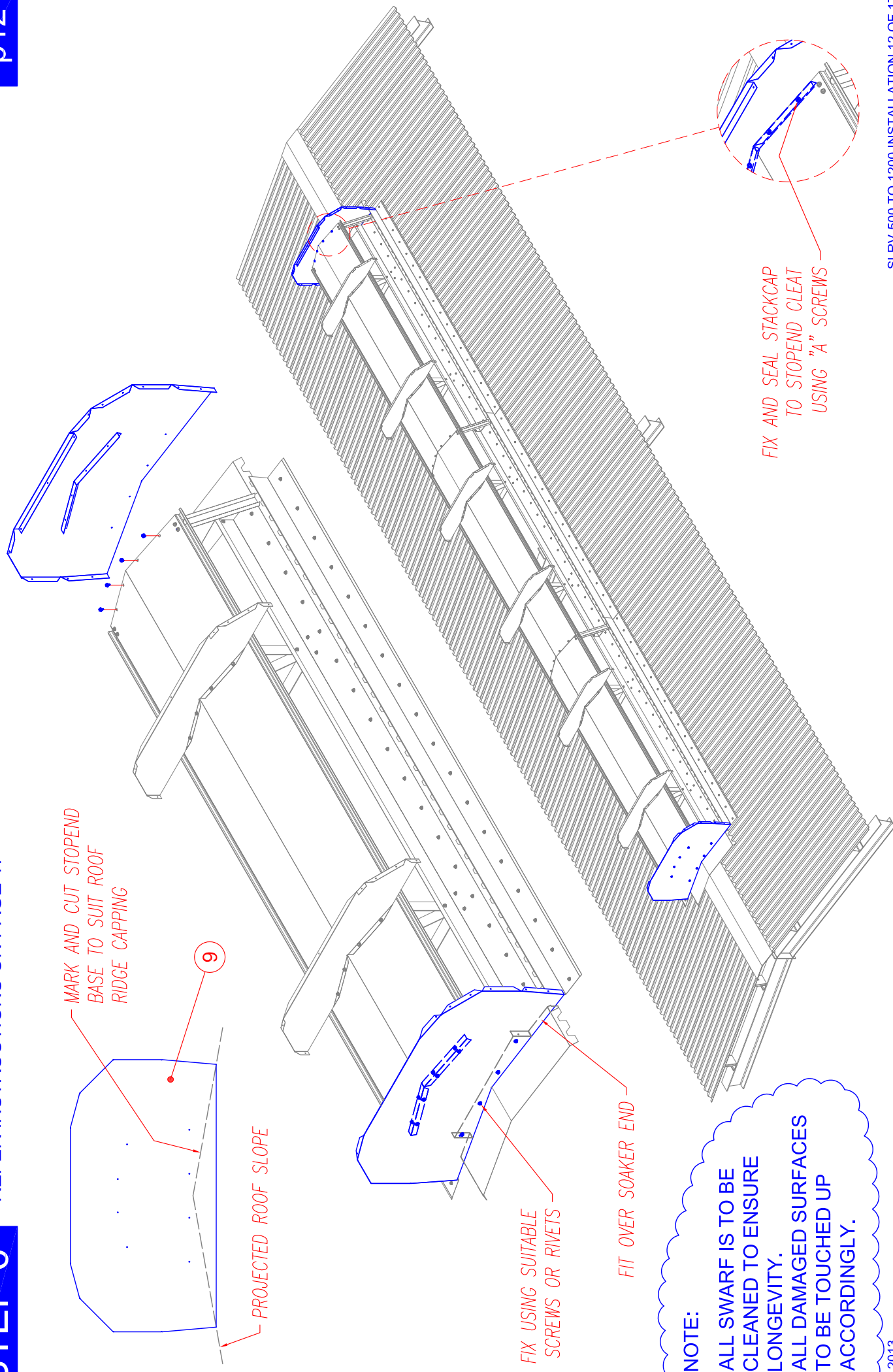


PLACE JIG SPACER AGAINST UPSTAND OF STACK FLASHING

USING OWN SCREWS, FIX WINDBAND RAIL TO ROOF USING STD SCREW PATTERN

USE JIG SPACER TO ALIGN WINDBAND RAIL AT CORRECT OFFSET. WHEN WINDBAND RAIL IS FIXED, MOVE ON TO NEXT MODULE

FIX ALL LAP JOINTS (NO SEAL REQUIRED)



MARK AND CUT STOPEND
BASE TO SUIT ROOF
RIDGE CAPPING

9

PROJECTED ROOF SLOPE

FIX USING SUITABLE
SCREWS OR RIVETS

FIT OVER SOAKER END

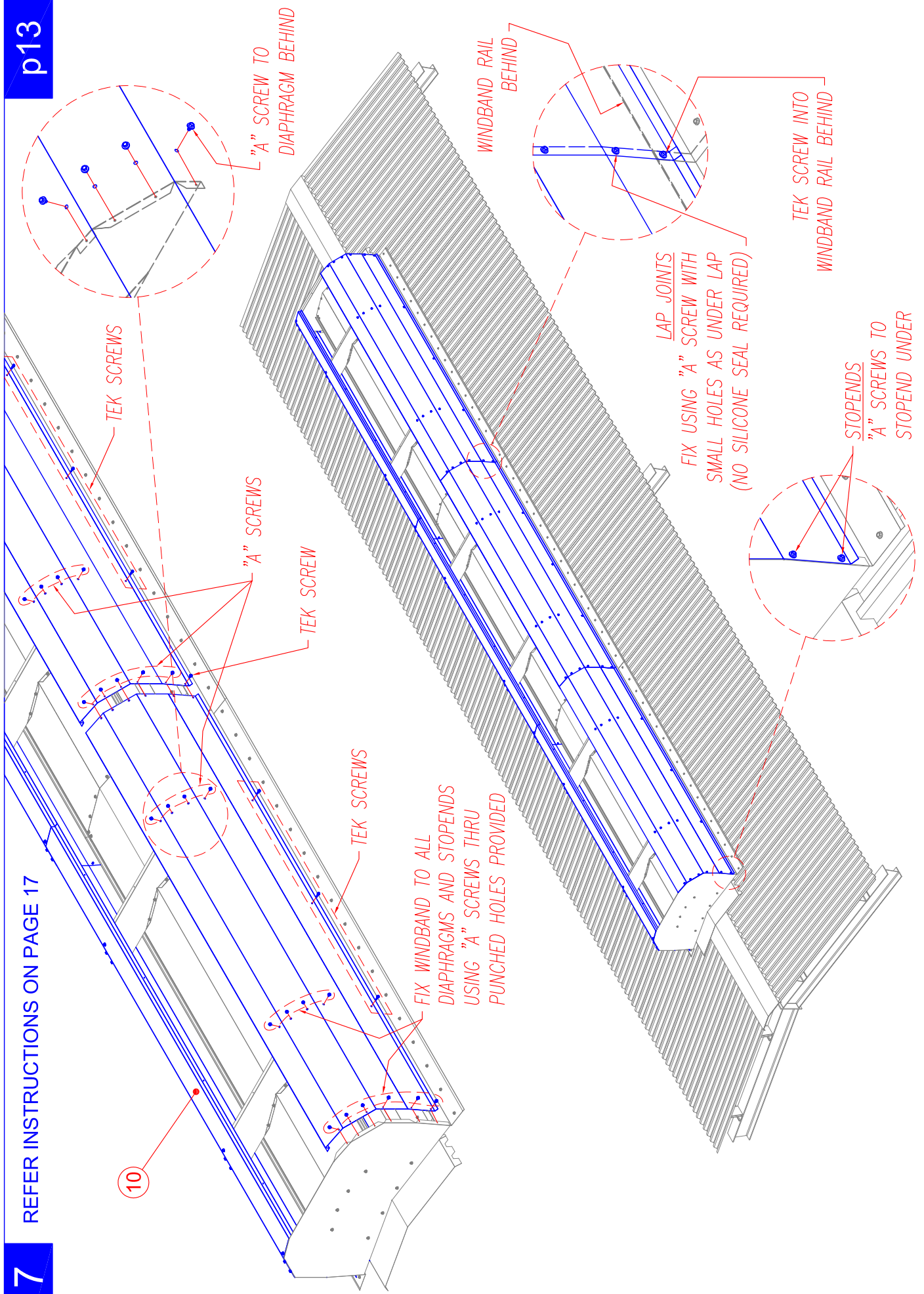
FIX AND SEAL STACKCAP
TO STOPEND CLEAT
USING "A" SCREWS

NOTE:
ALL SWARF IS TO BE
CLEANED TO ENSURE
LONGEVITY.
ALL DAMAGED SURFACES
TO BE TOUCHED UP
ACCORDINGLY.

STEP 7

REFER INSTRUCTIONS ON PAGE 17

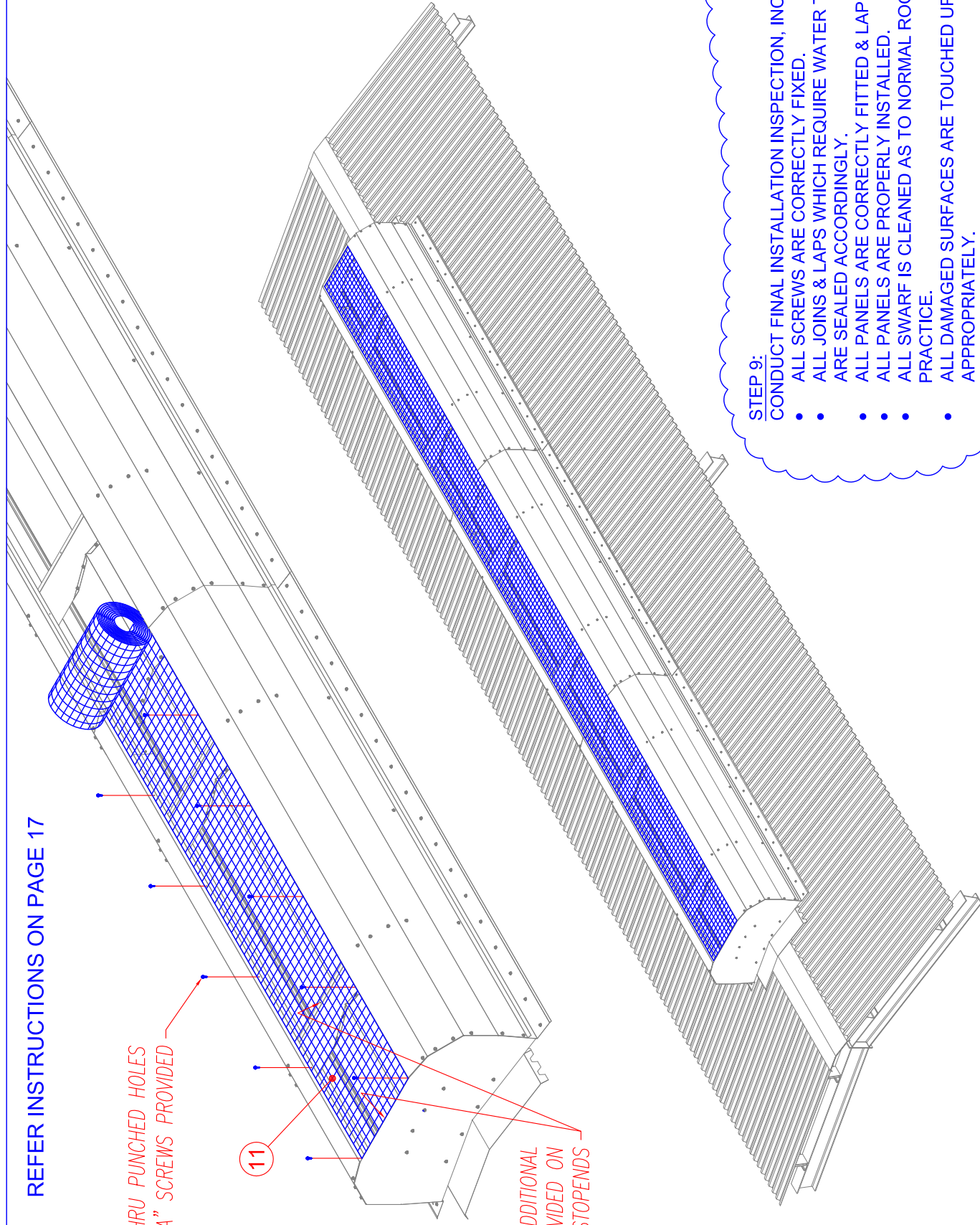
p13



FIX BIRDWIRE THRU PUNCHED HOLES USING "A" SCREWS PROVIDED

11

ON LARGER VENTS, ADDITIONAL HOLES ARE PROVIDED ON DIAPHRAGMS AND STOPENDS



STEP 9:
CONDUCT FINAL INSTALLATION INSPECTION, INCLUDING:

- ALL SCREWS ARE CORRECTLY FIXED.
- ALL JOINS & LAPS WHICH REQUIRE WATER TIGHTNESS ARE SEALED ACCORDINGLY.
- ALL PANELS ARE CORRECTLY FITTED & LAPPED.
- ALL PANELS ARE PROPERLY INSTALLED.
- ALL SWARF IS CLEANED AS TO NORMAL ROOFING PRACTICE.
- ALL DAMAGED SURFACES ARE TOUCHED UP APPROPRIATELY.

INSTRUCTIONS DESCRIPTIONS

STEP 1

- Check purlins are in correct position as per Roof Framing Plan.
- Starting at one end, place two Main Frames (item #1) approx 1500mm apart and fix Stack Flashing (item #2) through holes provided to Main Frames. Main Frames are only required towards centre of each module (approx 756mm CTRs from each module end), frames are not to be used at the lap joints.
- Align assembly centre along centreline of ridge, while making sure diagonals are equal (this will ensure squareness and alignments of other components in later steps.)
- Notch the Stack Flashing (item #2) to suit the roof sheet profile.
- Using your own suitable roof screws, temporarily pin Stack Flashings to roof near each side of the Main Frame through flashing/roof sheets to purlins under. The frames will sit on top of roof sheeting and the screws will ensure that the flashing acts as a strap over the Main Frame.
- Using a string line, repeat the above steps for remaining module lengths.
- All lap joints of flashings are to be sealed and water tight using the sealant provided.
- Ensure laps have small punched holes on underlap (pre-punched holes only).
- Using your own roof screws, ensure the Stack Flashing is screwed off to purlins under to suit the roof screw pattern/normal practice. Access may be difficult after the Windband (item #10) is installed.

STEP 2

- Starting from one end, sit Stackcap/Gutter (item #3) on Main Frames.
- Temporarily pin the Stackcap/Gutter to frames (suggested two "A" screws per frame) as the Diaphragms (item #5) are to be installed at a later stage and require to be fixed to the frames through the Stackcap.
- Fix and seal all laps of Stackcap/gutter as shown (ensure small punched holes are on underlap). All laps are to be water tight using sealant and "A" screws with neo washer provided.

STEP 2A (IF INSTALLING OPTIONAL RIDGELITE)

- Starting from one end, sit Stackcap/Gutter (item #3) on Main Frames.
- Temporarily pin the Stackcap/Gutter to frames (suggested two "A" screws per frame) as the Diaphragms (item #5) are to be installed at a later stage and require to be fixed to the frames through the Stackcap.
- Fix and seal all laps of Stackcap/Gutter as shown (ensure small punched holes are on underlap). All laps are to be water tight using sealant and "A" screws with neo washer provided.
- The fixing of the lap joints is to include the Weatherlok Washers under screw heads and Fixing Strap to underside of ridgelite which will clamp the joints. The laps are to be pre-drilled with a Ø10mm hole for each set of fixings. Laps are to be watertight using sealant provided.

STEP 3

- Locate drain holes in gutter of Stackcap and fix Drains (item #4) to underside with 10-16x16 teks provided or "A" screws for pre punched holes (fixings installed from top).
- Remove the temporary fixing (previously installed through Stackcap into frames) and fix Diaphragms (item #5) ensuring they all face the same way as each other. Diaphragms are fixed to all Main Frames (item #1), through Stackcap (item #3) using "A" screws with neo washers provided.
- Seal under tabs around hole locations.

For damper versions, refer to SLRV series damper assembly instructions

STEP 4

- Place Stopend Soakers (item #6) at each end of the vent run under the Stack Flashings.
- Using "A" screws provided, fix the top hole to the flashing. On the lower joints, fix using own screws or rivets and seal all joints and laps.
- Stopend Soakers should be joined and sealed to the roof capping and turndown notched to suit the roof profile.

STEP 5

- Using Jig Spacer (item #7) provided, place it over and against the upstand of Stack Flashings to determine the correct offset of Windband Rail (item #8).
- Using normal roof screw pattern, fix Windband Rail to roof using own suitable roof screws.
- Move the Jig to the next module and repeat until complete.
- On completion of fixing all Windband Rails, you may discard the Jig Spacer.

STEP 6

- Mark and cut Stopend (item #9) to suit Stopend Soaker (item #6) and roof ridgeline capping.
- Using "A" screws provided, fit Stopend over Stopend Soaker and seal joints to be watertight using sealant provided.
- Fix Stopend to Soaker using suitable fixings.
- Using "A" screws provided, fix and seal the Stackcap to the Stopend ensuring a watertight seal using the sealant provided.
- All swarf is to be cleaned to ensure longevity. All damaged surfaces to be touched up accordingly.

STEP 7

- Place and fix Windband (item #10) over to all Diaphragms, Stopends and Windband Rails using screws provided ("A" screws through punched holes and tek screws through Windband to Windband Rail behind).
- It is not necessary to seal the Windband laps.
- Fix lap joints with small holes on underlap (note that all lap joints remain at the same locations).

STEP 8

- Fit Birdwire (optional item #11) to top opening by fixing wire to Stopends, Windband and Diaphragms using teks or "A" screws provided. On larger vents, additional holes on centre of Diaphragms and Stopends are provided.

STEP 9

- Conduct final installation inspection, including:
- All screws are correctly fixed.
- All joins and laps which require water tightness are sealed accordingly.
- All panels are correctly fitted and lapped.
- All panels are properly installed.
- All swarf is cleaned as to normal roofing practice.
- All damaged surfaces are touched up appropriately.